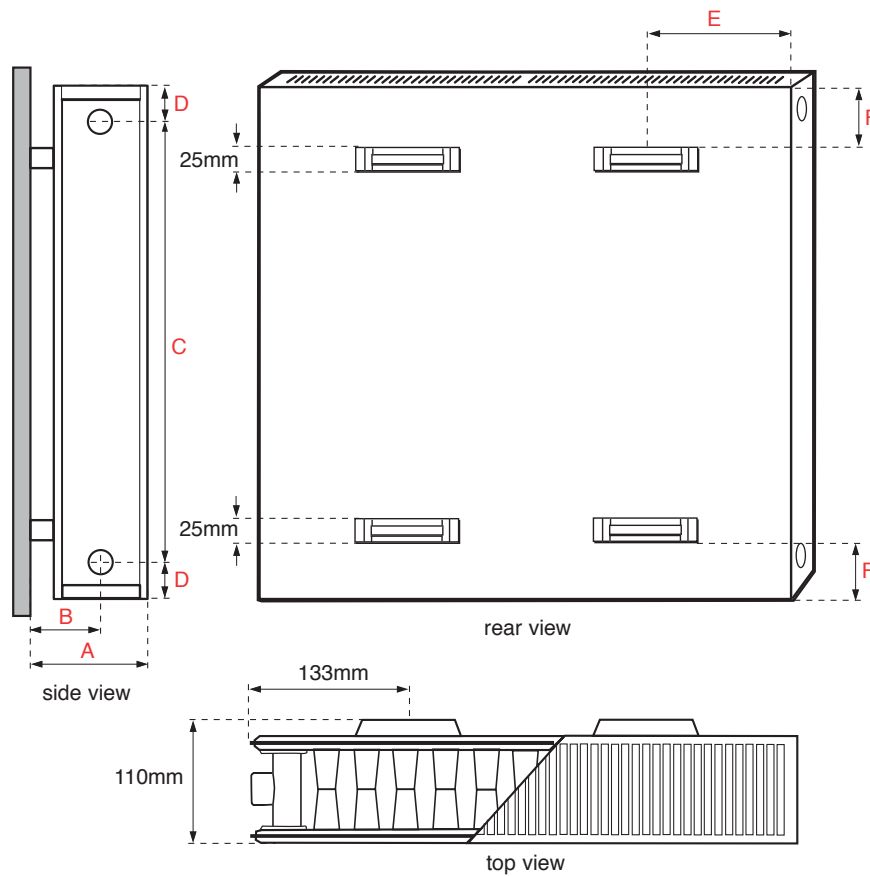


APOLLO milano deep horizontal plan technical specification



MILANO DEEP HORIZONTAL PLAN DIMENSIONS (mm)

MILANO DEEP HORIZONTAL PLAN DIMENSIONS (mm)			
MODEL HEIGHT 600, 900			
Depth			110
Wall to front of rad		(A)	132
Wall to pipe centres	Side entry	(B)	75
	Bottom entry		N/A
Tapping centres	Side entry	(C)	Height minus 60
	Bottom entry		N/A
Pipe centres	Side entry	(D)	30
	Bottom entry		N/A
Backhandle centres from edge		(E)	133
Backhandle positions		(F)	100

MILANO DEEP HORIZONTAL PLAN WEIGHTS AND VOLUMES (per metre)

MILANO DEEP HORIZONTAL PLAN WEIGHTS AND VOLUMES (per metre)		
Model height mm	600	900
Dry weight (A) Kg	41.38	61.87
Water content (B) Litres	5.85	8.40
Working weight (A+B) Kg	47.23	70.27
Outputs: Watts $\Delta T=50k$	1776	2424

Horizontal plan type 22
 9H 600 water content = 8.40 x 0.6

TEMPERATURE

FACTORS FOR DIFFERENCES BETWEEN MEAN WATER TEMPERATURE AND ROOM TEMPERATURE IN °C AND °F OTHER THAN 50 °C (90 °F)

5 °C	0.050	10 °F	0.057
10 °C	0.123	20 °F	0.142
15 °C	0.209	30 °F	0.240
20 °C	0.304	40 °F	0.348
25 °C	0.406	50 °F	0.466
30 °C	0.515	60 °F	0.590
35 °C	0.629	70 °F	0.721
40 °C	0.748	80 °F	0.858
45 °C	0.872	90 °F	1.000
50 °C	1.000	100 °F	1.147
55 °C	1.132	110 °F	1.298
60 °C	1.267	120 °F	1.454
65 °C	1.406	130 °F	1.613
70 °C	1.549	140 °F	1.776
75 °C	1.694		

TO APPLY THE FACTORS SHOWN IN THE TABLE TO OUR QUOTED OUTPUTS. MULTIPLY THE QUOTED OUTPUT BY THE CHOSEN OPERATING FACTOR TO GIVE THE OUTPUT

ADDITIONAL INFORMATION

Material	Steel
Steel thickness	1.2mm
Maximum working pressure	10 bar/1000 kPa
Testing pressure	13.5 bar/1350 kPa
Maximum working temperature	95°C

The thermal outputs expressed at $\Delta T=50k$ comply with European regulation EN 442-2